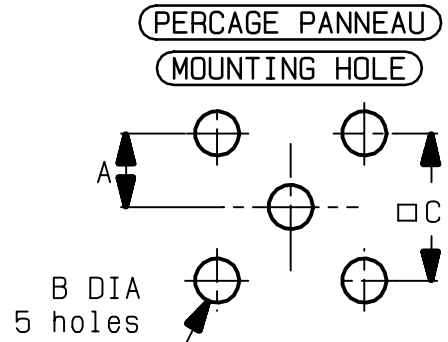
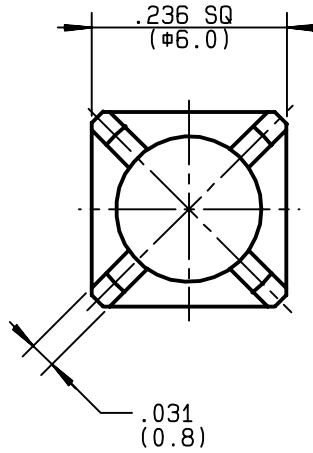
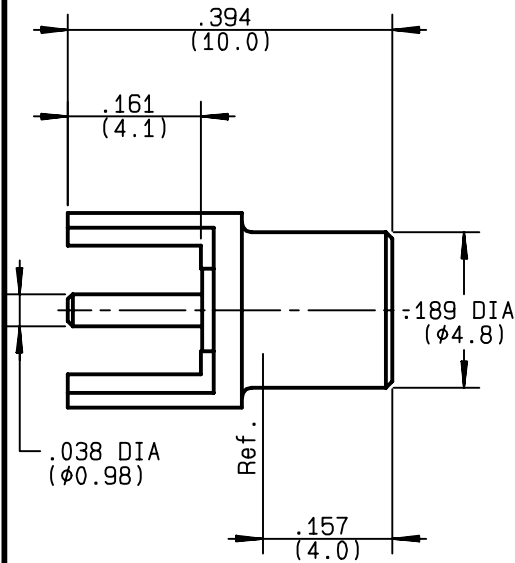


**STRAIGHT JACK RECEPTACLE FOR PCB
SOLDER LEGS - STICK OF 75**

R113.426.850
SERIES MCX



	MM		INCH	
	maxi	mini	maxi	mini
A	2.565	2.515	.101	.099
B	1.4	1.3	.055	.051
C	5.13	5.03	.202	.198

NOMINAL IMPEDANCE	50	Ω
FREQUENCY RANGE	0-6	GHz
TEMPERATURE RATING	-55/+155	°C
V.S.W.R	1.05 +	.05 x F(GHz)Maxi
RF INSERTION LOSS	0.03	√F(GHz) dB Maxi
VOLTAGE RATING	335	Veff Maxi
DIELECTRIC WITHSTANDING VOLTAGE	1000	Veff Mini
INSULATION RESISTANCE	1000	MΩMini
HERMETIC SEAL	NA	Atm.cm ³ /s
LEAKAGE (pressurized only)	NA	
MECHANICAL DURABILITY	500	Cycles
WEIGHT		gr
SPECIFICATION		

CABLES :

OTHERS CHARACTERISTICS

***COAXIAL TRANSMISSION LINE ONLY**

CABLE RETENTION	NA	N Mini
CENTER CONTACT RETENTION		
Axial force - mating end	10	N Mini
Axial force - opposite end	10	N Mini
Torque	NA	cm.N Mini
RECOMMENDED TORQUES		
Mating	NA	cm.N
Panel nut	NA	cm.N
Clamp nut	NA	cm.N

CONNECTOR PARTS	MATERIALS	FINISH	(all values are given in micrometers)
BODY	BRASS	GOLD 0.2 OVER NICKEL 2	
OUTER CONTACT	BRASS		
CENTER CONTACT	BERYLLIUM COPPER	GOLD 1.3 OVER NICKEL 2	
INSULATOR	PTFE	-	
GASKET		-	
OTHERS PIECES			

ISSUE	CREATION DATE	FILE PART-NUMBER
9918B00	23/07/1998	96-0132-068



RADIALL®

Connect to the future

The information given here is subject to change without notice. Design changes may be in order to improve the product.

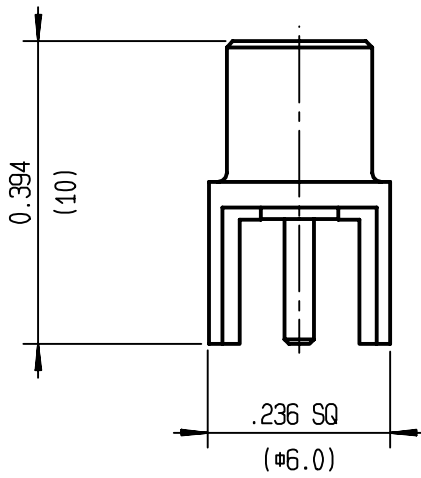
PERRIN



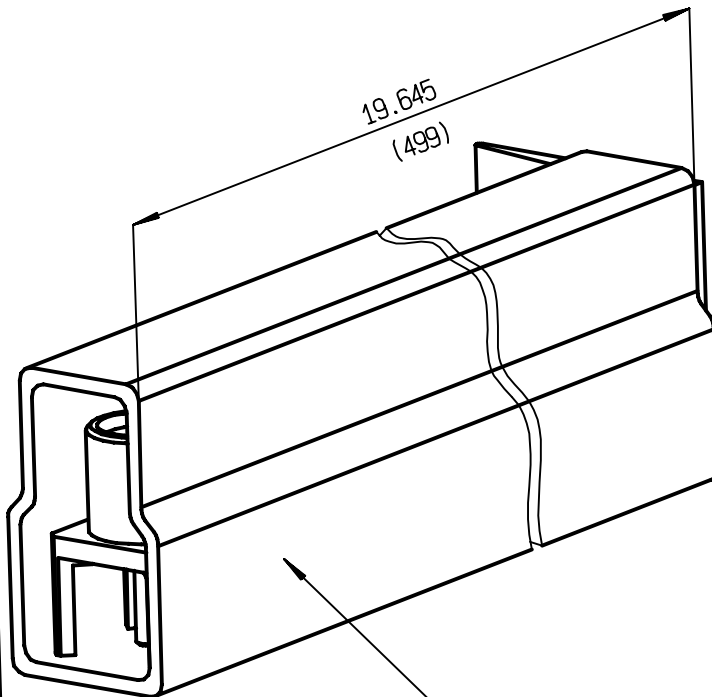
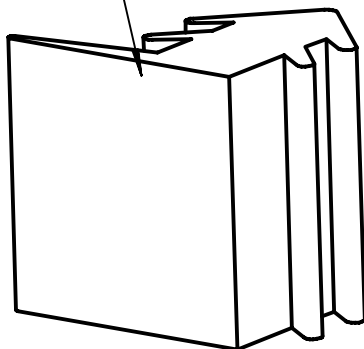
R113.426.850

ISSUE **9918B00**

SERIES
MCX



NUT
one by side



STICK CONDUCTOR PVC